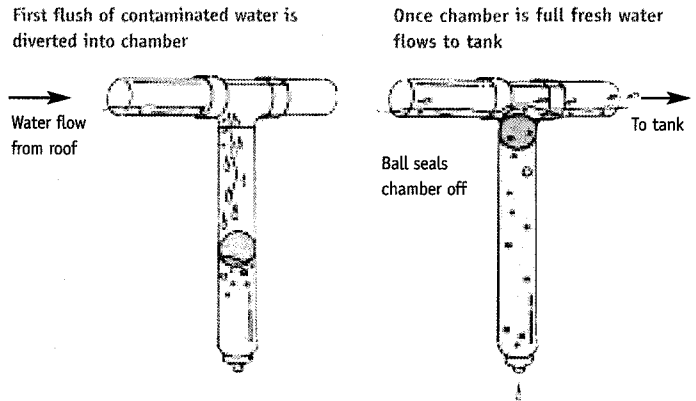


FIRST FLUSH DIVERTERS

Water diversion is a key component to water quality. The main function of the first flush diverter is to prevent the first flow of water from the roof from entering the water storage tank.

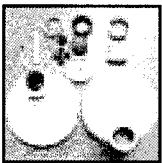
When it begins to rain, the first flow of contaminated water is diverted into the diverter chamber. Once the chamber is full, the fresh water automatically flows into the storage tank.

The type of first flush diverter to be fitted should be chosen by assessing the quantity of water to be diverted.



FIRST FLUSH DIVERTERS

90/100MM DUAL FIT FIRST FLUSH DIVERTER - WALL MOUNTED OR FITTED UNDERGROUND



Can be installed to a new or existing downpipe system.

Add the appropriate length of 300mm diameter pipe to suit the quantity of water you wish to divert (see table below).

Calculation Method: $m^2 \text{ Roof Area} \times \text{Pollution Factor} \times 1000 + (\text{length of wet pipe } m \times \text{pipe cross section factor}) = \text{litres to be diverted}$

Pipe Allowance

Pipe Size Pipe Cross Section Factor

RP65	3.30
RP80	4.40
90SW	5.75

Pollution Factor 0.0005 Minimal Pollution; open field

Pollution Factor 0.0020 Substantial Pollution; leaves, debris, bird droppings, various insect matter.

PRODUCT CODE	DESCRIPTION	VOLUME IN LITRES
CHR.300.1	300mm x 1metre	80 Litres
CHR.300.1.5	300mm x 1.5metre	120 Litres
CHR.300.2	300mm x 2metre	160 Litres
CHR.300.3	300mm x 3metre	240 Litres

Installation instructions

Step 1 - Determine the length of the Diverter Chamber (see table above). Make sure the Screw Cap is at least 150mm from the ground to allow for cleaning.

Step 2 - Bevel both ends of the 300mm pipe with an angle grinder so that the pipe fits easily onto the end caps.

For Post/Wall mounting glue (Marley Gold) the caps on each of the chamber making sure the cap outlets are both at 12 o'clock.

For an underground unit (horizontal) glue one cap at 12 o'clock and the other at 6 o'clock.

Step 3 - Attach the wall/post bracket in position.

Place the diverter chamber into the bracket and secure the chamber to the wall at the top with a 100mm pipe bracket.

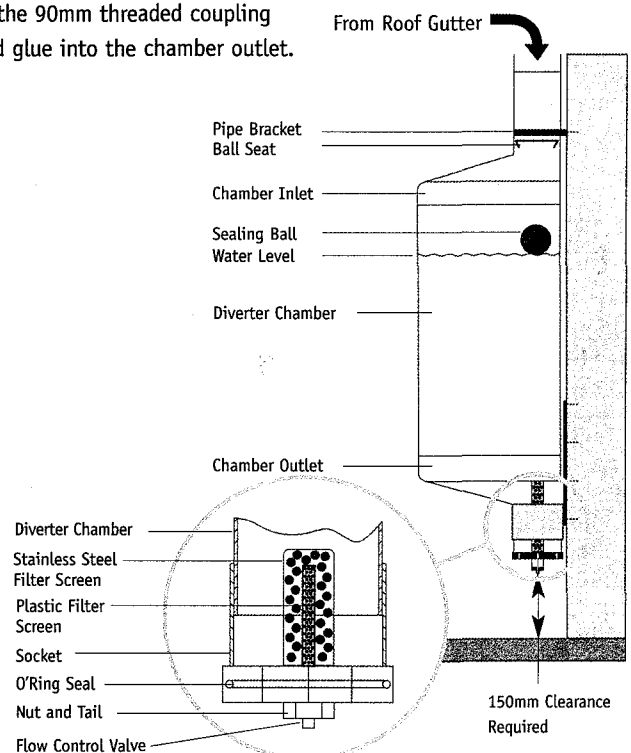
Step 4 - Connecting to the Chamber Inlet

If connecting to 90mm pipe; insert the ball seat with the small end (seat) down into the top of the chamber inlet and insert the infeed pipe directly hard down on the diverter seat.

If connecting to a 100mm pipe: Insert the ball seat with the small end (seat) down into the top of the chamber inlet and insert and glue the 20mm (long) 90mm spacer (provided) and push the spacer hard down on top of the seat to hold it in place. Attach the 100mm infeed pipe.

Step 5 - Connecting to the Chamber Outlet

Glue the 100mm long 90mm diameter pipe provided into the plain end of the 90mm threaded coupling and glue into the chamber outlet.



Insert the Stainless Steel filter into the socket with the open end of the filter facing downwards, insert the 20mm (long) 90mm pipe (spacer) into the socket to hold the filter in place.

Fit the Screw cap to the socket making sure that the "O" Ring is in place in the cap. Insert the plastic screen into the cap, select the appropriate Flow Control Valve (rubber seal with holes) with the smallest hole giving slowest flow. Place Flow Control Valve in the Nut and Tail and screw the Nut and Tail into the cap.

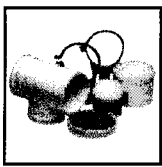
To install the unit underground, ensure that before Chamber Inlets and Outlets are glued to the Chamber, the Chamber Inlet is at 12 O'clock and the Chamber Outlet at 6 O'clock to ensure water can drain out effectively.

Hint: Make sure diverter water flows away from house or tank. Use diverted water for gardens.

Maintenance

To ensure continuing function, unscrew the screw cap on a regular basis to allow debris to fall out. Hose or wash the filter screen if needed and check and clean the flow control valve.

90MM FIRST FLUSH DIVERTER – DOWNPIPE



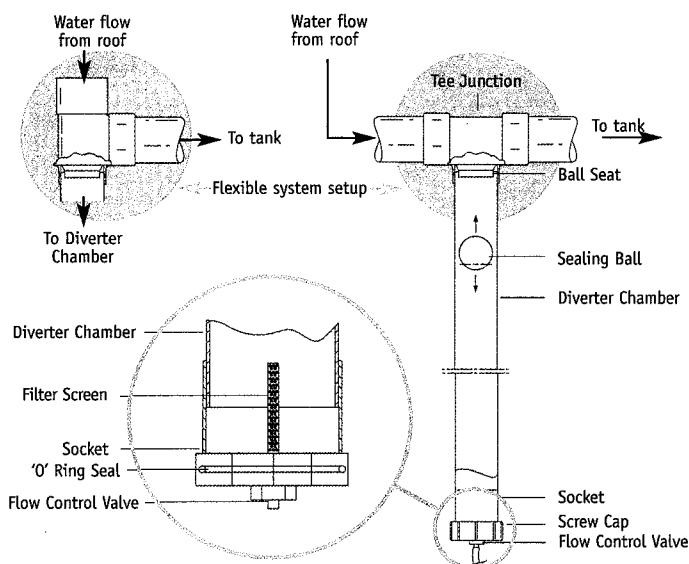
A simple First Flush Diverter requiring minimal maintenance.

Can be installed to a new or existing downpipe system. Use a Marley adaptor to install with a 65mm or 80mm downpipe system (RA65.90 or RA80.90).

Add the appropriate length of 90mm diameter pipe to suit the quantity of water you wish to divert.

Installation Instructions

Step 1 - Determine the length of the Diverter Chamber (cut 90mm pipe as long as possible) making sure the Screw Cap is at least 150mm from the ground to allow for removal and cleaning.



Step 2 - Place the Ball Seat into the Tee Junction and then fit the Diverter Chamber up against the Ball Seat and hold until the glue sets. Then fit the socket to the bottom end of the Diverter Chamber.

Step 3 - Fix the assembled chamber to the wall in the desired position using the steel Pipe Brackets.

Step 4 - For wall mounting, connect a M & F Elbow to the Diverter Chamber and connect the downpipe. Bracket if necessary. Fit an elbow to the Tee Junction inlet and connect to the bottom of the selected Leaf Diverter.

Step 5 - Place the Sealing Ball into the Diverter Chamber and attach the Screw Cap.

Step 6 - Select the appropriate Flow Control Valve and insert into the Nut and Tail. Insert plastic Filter Screen into Screw Cap and attach the Nut and Tail.

Maintenance

To ensure continuing function, unscrew the screw cap on a regular basis to allow debris to fall out. Hose or wash the filter screen if needed and check and clean the flow control valve.

DOWNPIPE DIVERTER



The Marley Downpipe Diverter can be installed easily to Marley PVC downpipes allowing collection of fresh rainwater for tank filling, garden watering, etc.

The Downpipe Diverter is especially useful for those wishing to reduce dependence on reticulated water.

The Downpipe Diverter should not be used in a 'wet system'.

Dimensions - 80mm pipe that can easily be adapted to fit all Marley downpipe profiles.

Installation Instructions

Cut a 320mm gap in the downpipe, join the Downpipe Diverter to the enclosed attachment.

Attach the Diverter to the downpipe, starting at the top with the diverter offset slightly, then push up and across.

Let the Diverter then slide down into the downpipe.

To Use - Simply lower the side arm and ensure it is clipped in and on a downwards slope.